



UNITED  
ORTHOPEDIC®

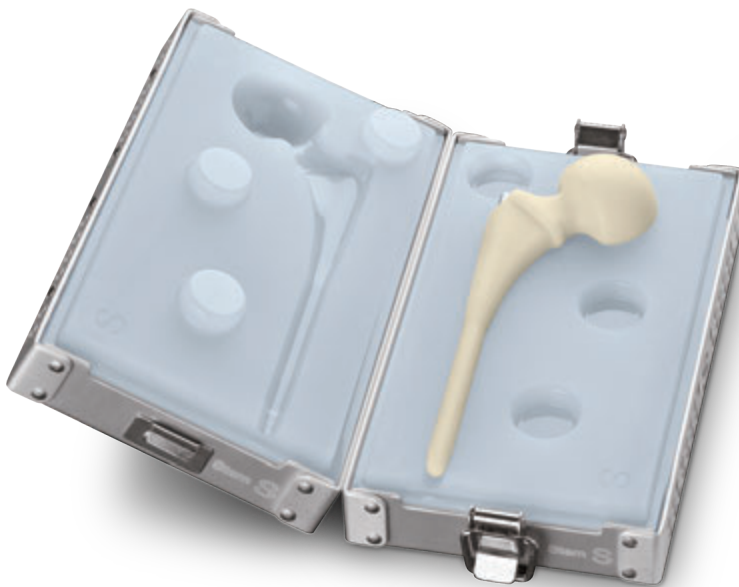


# RepliCase Hip™

## Cement Spacer Mold

### An Instrument Set to Reproduce Hip Cement Spacer with Ease

- The RepliCase Hip is made of medical grade silicone which allows for repeated autoclave cycles
- 3 available sizes (S,M,L)
- Total hip spacer design helps provide a smoothly articulated surface intended to reduce wear particles and improve hip motion
- Reinforcement Rod provides additional mechanical support



## Brief Description

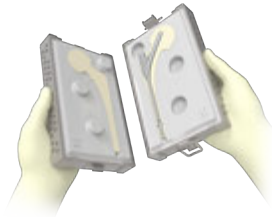
### 1. Size Selection

Measured Acetabular sizes (mm)	Hemiarthroplasty		Total Hip Type		
	44	46, 48	50, 52	54	56 or above
Cup Diameter (mm)	–	–	46	49	52
Spacer Cup Cement Mantle (each side)	–	–	2 or 3 mm	2.5 mm	2 mm or above
Head Diameter (mm)	42	45	42	45	48
Suggested sizes	S	M	S	M	L

### 2. Bone Cement Preparation



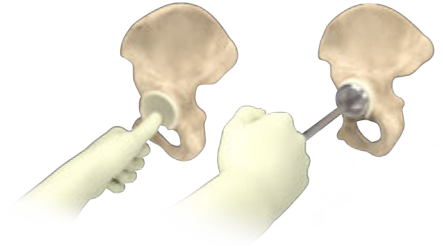
### 3. Femoral Cement Spacer Shaping



### 4. Femoral Cement Spacer Materialization



### 5. Acetabular Spacer Cup Preparation

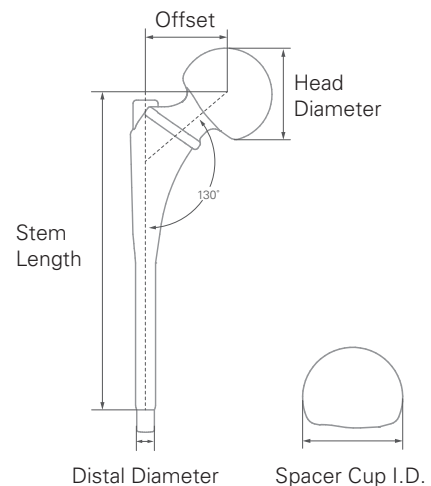


**Note:** Bone cement and antibiotics are NOT provided. For acetabular sizes under 50 mm, the acetabular spacer cup may not be necessary, size selection should be based on the head diameter.

## Specification

Size	S	M	L
Acetabular Size	50, 52	54	56 or above
Spacer Cup I.D.	46	49	52
Head Diameter	42	45	48
Offset	36	39	43
Head Neck Angle	130°	130°	130°
Stem Length	145	145	145
Distal Diameter	9	10	11

Unit : mm



## Order Information



### Catalog No. Description

9909 - 5009	Cement Spacer Mold S, 42 mm
9909 - 5010	Cement Spacer Mold M, 45 mm
9909 - 5011	Cement Spacer Mold L, 48 mm



### Catalog No. Description

9909 - 5046	Acetabular Cup Molder, 46 mm
9909 - 5049	Acetabular Cup Molder, 49 mm
9909 - 5052	Acetabular Cup Molder, 52 mm



### Catalog No. Description

9909 - 8110 - RA	Replicase Cement Mold Case
------------------	----------------------------



### Catalog No. Description

9909 - 1101	Acetabular Cup Molder Handle
-------------	------------------------------



### Catalog No. Description

1910 - 1010	Reinforcement Rod
-------------	-------------------

